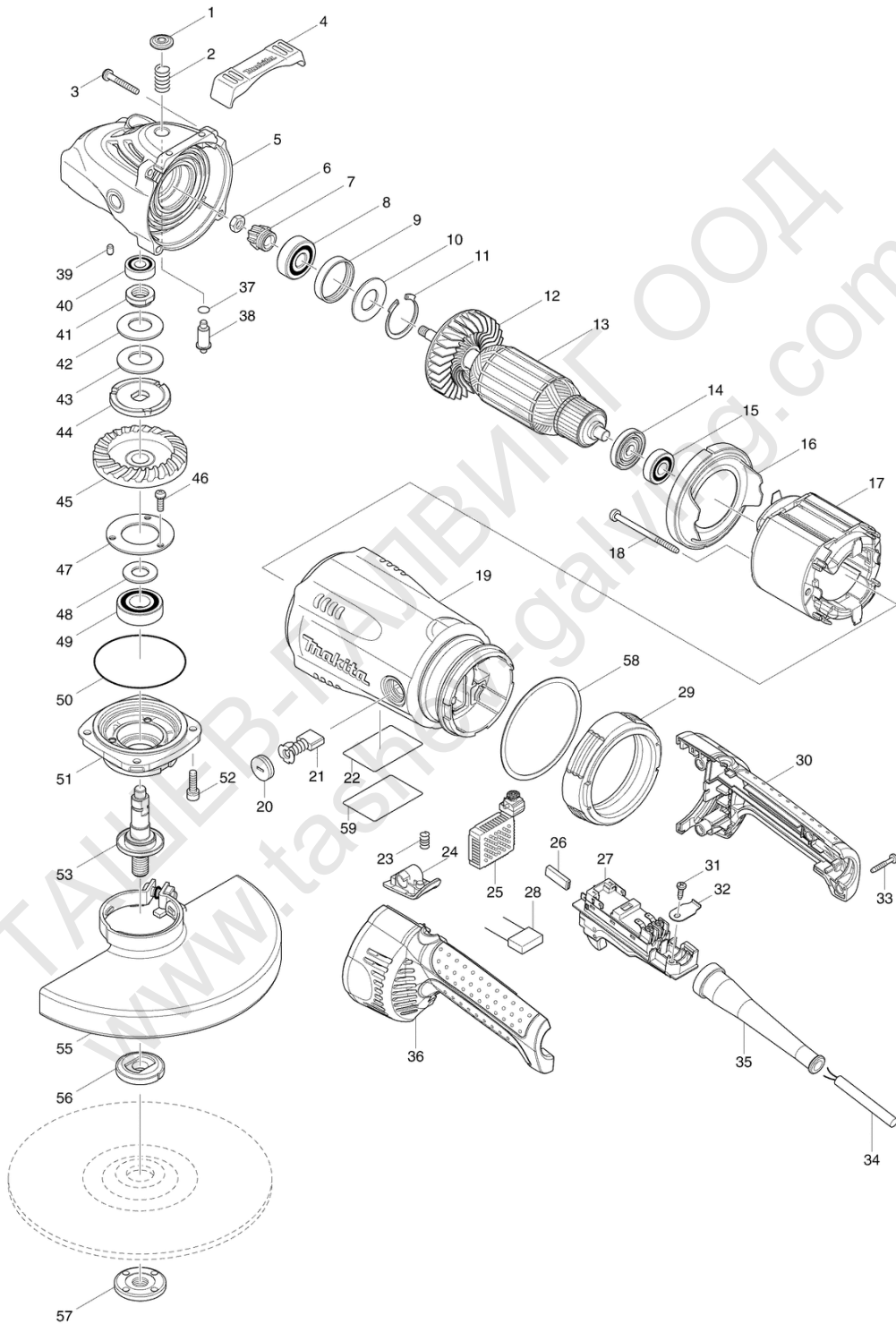


Makita Service Information / Model: GA9040R



| POS | Bestell-Nr. | Artikelbeschreibung | Stk. |
|-----|-------------|--------------------------------|------|
| 1 | 419133-4 | KAPPE GA7020-9040SF01 | 1 |
| 2 | 233292-8 | DRUCKFEDER 12 9067-69SF neu | 1 |
| 3 | 266012-5 | SELBSTSCHNEID.SCHRAUBE 5x35 | 4 |
| 4 | 419144-9 | GUMMISCHUTZ GA7020-9040SF01 | 1 |
| 5 | 154685-5 | GETRIEBEGEHÄUSE GA7020-GA9040S | 1 |
| 6 | 252194-9 | 6-KANTMUTTER M8 GA7020-9040S | 1 |
| 7 | 227490-4 | RITZEL 12 GA9020-9040SF01 | 1 |
| 8 | 211132-0 | KUGELLAGER 6301DDW | 1 |
| 9 | 262085-6 | GUMMIRING 38 9077SF/GA7020-9 | 1 |
| 10 | 267299-2 | SCHEIBE 20 GA7020-GA9040SF01 | 1 |
| 11 | 962211-4 | SEEGERING R-42 | 1 |
| 12 | 240081-4 | LÜFTERRAD 80 GA7020-GA9040SF01 | 1 |
| 13 | 517833-1 | ANKER GA7040SF/GA9040SF | 1 |
| 13 | | *** INC. 12,14,15 | |
| 14 | 681630-2 | ISOLIERSCHEIBE | 1 |
| 15 | 211087-9 | KUGELLAGER 6200DDW | 1 |
| 16 | 419135-0 | LUFTABLEITPLATTE GA7020-9040SF | 1 |
| 17 | 526223-7 | FELD GA9040R/GA7040R | 1 |
| 18 | 266059-9 | SELBSTSCHNEID. SCHRAUBE 5x75 | 2 |
| 19 | 154786-9 | MOTORGEHÄUSE GA7030-9040SF01 | 1 |
| 20 | 643700-5 | KOHLKAPPE 7x22 | 2 |
| 21 | 191957-7 | KOHLN CB-204 | 1 |
| 22 | 867542-5 | GA9040R NAME PLATE | 1 |
| 23 | 233375-4 | DRUCKFEDER 7 GA7030-9040SF01 | 1 |
| 24 | 451630-4 | LOCK BUTTON | 1 |
| 25 | 631946-5 | REGELELEKTRONIK GA9030R | 1 |
| 26 | 686036-9 | FAHNENSTECKER-HÜLSE GA9020S/70 | 2 |
| 27 | 650107-8 | SCHALTER GA9050R | 1 |
| 28 | 645088-9 | KONDENSATOR GA7020-GA9040SF01 | 1 |
| 29 | 421936-4 | Vibrationsdämpfer GA7030-9040S | 1 |
| 30 | 188845-7 | SCHALTERGEHÄUSE (R+L) GA9030R | 1 |
| 30 | | *** INC. 36 | |
| 31 | 266192-7 | SELBSTSCHN.SCHRAU. 4x14 HM3541 | 1 |
| 32 | 687169-3 | KABELKLEMMPLATTE HP1620/1621/ | 1 |
| 33 | 265999-8 | SELBSTSCHNEID. SCHRAUBE 4x25 | 4 |
| 34 | 695107-1 | KABEL 1.5x2x2.5 | 1 |
| 35 | 682560-0 | KABELSCHUTZ 10 HM3541FC | 1 |
| 36 | 188845-7 | SCHALTERGEHÄUSE (R+L) GA9030R | 1 |
| 36 | | *** INC. 30 | |
| 37 | 213062-1 | O-RING 9 AN7000/BSR730S/GA70 | 1 |

| POS | Bestell-Nr. | Artikelbeschreibung | Stk. |
|------|-------------|--------------------------------|------|
| 38 | 256491-5 | Ansatzstift 5 GA7020-9040SF01 | 1 |
| 39 | 263002-9 | GUMMISTIFT 4 FS2300-6300 | 1 |
| 40 | 211061-7 | KUGELLAGER 6000LLB | 1 |
| 41 | 252429-8 | Mutter M15-23 GA7030-9040SF01 | 1 |
| 42 | 232163-6 | FEDERKAPPE 20 9047SF/GA7030- | 1 |
| 43 | 232163-6 | FEDERKAPPE 20 9047SF/GA7030- | 1 |
| 44 | 267798-4 | KLEMMSCHEIBE GA7030-9040SF01 | 1 |
| 45 | 227492-0 | TELLERRAD 53C GA9030-9040SF0 | 1 |
| 46 | 265120-9 | SCHRAUBE M5x16 GA7020-9040SF | 3 |
| 47 | 285724-1 | LAGERABDECKUNG GA7020-GA9040S | 1 |
| 48 | 267167-9 | SCHEIBE 9047SF/GA7030-9040SF01 | 1 |
| 49 | 211278-2 | KUGELLAGER 6203DDW | 1 |
| 50 | 213760-7 | O-RING 78 HR2010/GA7020-9040SF | 1 |
| 51 | 318377-2 | LAGERGEHÄUSE GA7020-GA9040SF01 | 1 |
| 52 | 265541-5 | INBUSSCHRAUBE M6x22 GA7020-9 | 4 |
| 53 | 154777-0 | SPINDEL GA7030-9040SF01 | 1 |
| 55 | 122891-0 | SCHEIBENSCHUTZ 230K GA9050 | 1 |
| 56 | 224415-9 | INNENFLANSCH 42 neuer | 1 |
| 56 | 122444-5 | INNENFLANSCH 47mm 9077-79F/S | 1 |
| 57 | 224543-0 | FLANSCHMUTTER 14-45 mm | 1 |
| 58 | 261131-2 | NYLONSCHLEIBE 89 GA7030-9040SF | 1 |
| 59 | 819357-6 | ETIKETTENSCHUTZ GA7020/GA7030 | 1 |
| 1001 | 162264-5 | Antivibrationsgriff M14 neu | 1 |
| 1002 | 782407-9 | STIRNLOCHSCHLÜSSEL 35 GERADE | 1 |